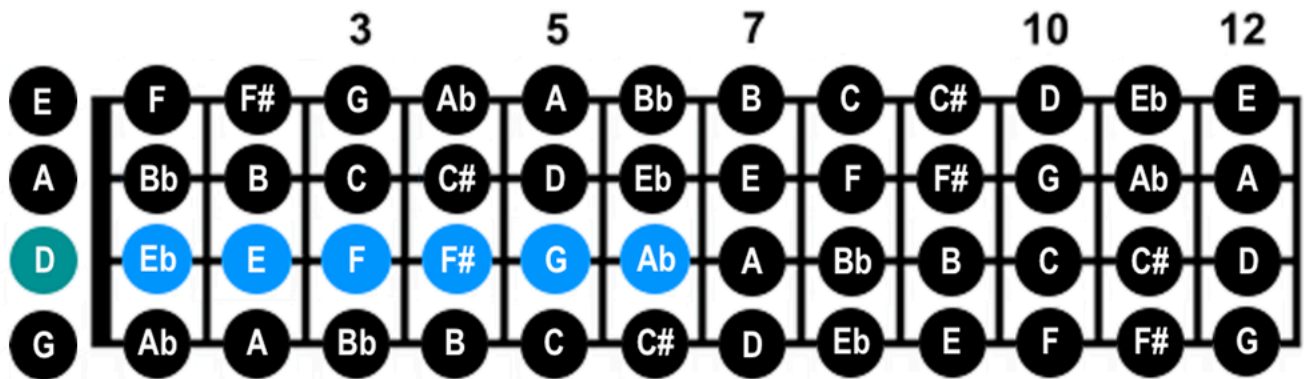




# Mandozine

## D String - Frets 1-6



Practice the chords below, memorizing the chord shapes and the root note string. As you learn the fret notes, move the chords up and down the neck identifying the chord name by the fret note.

Fret	1	2	3	4	5	6
<b>3rd String</b>	<b>E<sub>b</sub></b>	<b>E</b>	<b>F</b>	<b>F<sup>#</sup></b>	<b>G</b>	<b>A<sub>b</sub></b>
	E <sub>b</sub> 7	Em	Fm7	F <sup>#</sup> 6	Gm6	A <sub>b</sub> m7 <sub>b</sub> 5